



2 Port USB Cable KVM Switch

SY-KVM20050

User Guide

Specifications and products are subject to change without prior notice

All trade name referenced are the registered trademark of their respective owners



Package Contents

- 1 SY-KVM20050 USB KVM Switch with Attached Cables
- 1 User Guide

Hardware Requirements

Console

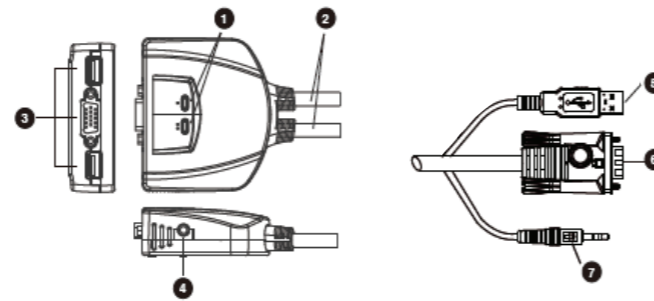
- A VGA, SVGA, or Multisync monitor
- A USB Keyboard
- A USB Mouse

Computers

The following equipment must be installed on each computer that is to be connected to the system:

- A VGA, SVGA or Multisync video port
- A USB Type A port

Hardware Review



1. Port LEDs
2. KVM Cables
3. Console Ports
4. Speaker Jack
5. USB keyboard/Mouse connector
6. Video Connector
7. Speaker Plug

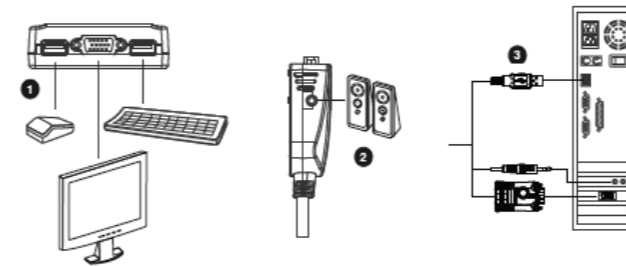
Hardware Installation

Before beginning the installation procedure, ensure that all equipment to be connected is powered off.

Unplug power cords of any computers that have the 'Keyboard Power On' function. Otherwise, the switch will receive power from the computer

To prevent damage to your equipment, make sure that all the devices are properly grounded

Installing your new SY-KVM20050 involves the following steps:



1. Plug your keyboard, monitor, and mouse into their ports on the SY-KVM20050. The keyboard and mouse ports are labeled with an icon to distinguish them.

Note: When using a wireless composite keyboard and mouse, its USB cable must plug into the SY-KVM20050 keyboard port for the Hotkeys to function.

2. Plug your speakers into the SY-KVM20050's speaker jack.

Note: This step is optional

3. Plug the USB, video, and speaker connectors of the attached KVM cables into their respective ports on the computers you are installing.

4. Turn on the power to the computers.

Note: The SY-KVM20050's Power On default is to link to the first computer you turn on.

Operation

Hotkey Port Selection

All hotkey port switches begin with tapping the Ctrl key twice. [Ctrl] [Ctrl]

Invokes Auto Scan Mode

Starts Auto Scan. Press and release the [Left shift] key, and then press the [Right shift] key. [Left shift] [Right shift]

Cancel Auto Scan Mode

Press and release the [ESC] or [Space] key

Scan Interval

Sets the Auto Scan interval to n second intervals - where n is a number from 1 - 4. [Left shift] [Right shift] [n]

Note: The n stands for the number of seconds that the focus dwells on a port before switching to the other one. Replace the n with a number between 1 and 4 when entering this hotkey combination. (See the table, below.)

n	Secs.
1	3 secs.
2	5 secs.(Default)
3	10 secs.
4	20 secs.

Hotkey Configuration

Invoking Hotkey Mode [Ctrl] + [F12]. There are 3 Steps:

1. Press and hold down the [Ctrl]
2. Press and release [F12]
3. Release the [Ctrl]

After invoking Hotkey Mode, key in one of the following keys to perform the corresponding function:

Key	Function
F1	Sets the PC Compatible keyboard operating platform.
F2	Sets the Mac keyboard operating platform.
F3	Sets the Sun keyboard operating platform.
[ESC] or [Space]	Cancel operation platform setting
R [Enter]	Resets the Hotkey settings to their default status.

Troubleshooting

Symptom	Possible Cause	Action
Keyboard and/or Mouse Not Responding	Keyboard / Mouse needs to be reset.	Unplug the keyboard / mouse from the Console Keyboard Port, then plug it back in.
	Hotkey sequence input incorrectly.	Resend the Hotkey command - press and release each key in the sequence individually.
	Switch needs to be reset.	Turn off the computers; wait 5 seconds; turn the computers back on.
Video Problems	Resolution and/or Refresh rate set too high.	Select a lower resolution and/or bandwidth.

Keyboard Emulation Mapping

The USB 101/104 key keyboard can emulate the functions of the Sun or Mac keyboard. The corresponding functions are shown in the table below.

Sun Keyboard

Note: When using [Ctrl] combinations, press and release the Ctrl key, then press and release the activation key.

PC Keyboard	Sun Keyboard
[Ctrl] [T]	Stop
[Ctrl] [F2]	Again
[Ctrl] [F3]	Props
[Ctrl] [F4]	Undo
[Ctrl] [F5]	Front
[Ctrl] [F6]	Copy
[Ctrl] [F7]	Open
[Ctrl] [F8]	Paste
[Ctrl] [F9]	Find
[Ctrl] [F10]	Cut
[Ctrl] [1]	☐
[Ctrl] [2]	☐
[Ctrl] [3]	☐
[Ctrl] [4]	☐
[Ctrl] [H]	Help

Mac Keyboard

Note: When using key combinations, press and release the first key, then press and release the second key.

PC Keyboard	Mac Keyboard
[Shift]	Shift
[Ctrl]	Ctrl
[Win]	⌘
[Ctrl] [1]	☐
[Ctrl] [2]	☐
[Ctrl] [3]	☐
[Ctrl] [4]	☐
[Alt]	L. Alt/Option
[Prt_Sc]	F13
[Scroll Lock]	F14
[Desktop Menu]	=
[Enter]	Return
[Back Space]	Delete
[Ins]	Help
[Ctrl] [Win]	F15

Specifications

Function	SY-KVM20050	
Computer Connections	2	
Port Selection	Hotkey	
Connectors	Console Ports	Keyboard 1 x USB Type A Female (Black) Video 1 x HDB-15 Female (Blue) Mouse 1 x USB Type A Female (Black) Speaker 1 x Mini Stereo Jack Female (Green)
	KVM Ports	Keyboard/ Mouse 2 x USB Type A Male (Black) Video 2 x HDB-15 Male (Blue) Speaker 2 x Mini Stereo Plug Male (Green)
	LEDs	Selected 2 (Green)
	Cable Length	Computers 4 ft (1.2 m)
	Emulation	Keyboard/ Mouse USB
Video	2048 x 1536; DDC2B	
Scan Interval	5 Seconds	
Environment	Operating Temp.	32 ~ 122°F (0 ~ 50°C)
	Storage Temp.	-4 ~ 140°F (-20 ~ 60°C)
	Humidity	0-80% RH, Non-condensing
Physical Properties	Housing	Plastic
	Weight	0.86 lb (0.39 kg)
	Dimensions (L x W x H)	3.11 x 2.60 x 1.02 in (7.90 x 6.60 x 2.60 cm)